



CRUX WALL TYPE SINK MIXER

035573

SPECIFICATION SHEET

PRODUCT DETAILS

CARTRIDGE SEDAL ANTI-SCALD CARTRIDGE (TEMPERATURE CONTROL)

NEOPERL AERATOR EASY FLOW AERATOR

S-CONNECTORS EXTENDED S-CONNECTORS FOR EASIER INSTALLATION

TECHNICAL SPECIFICATIONS

FLOW RATE 19L/ MINUTE @ 300Kpa

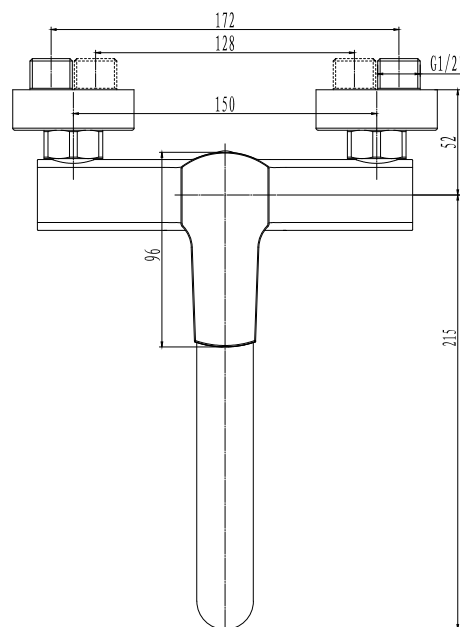
SABS APPROVED*

BRASS GRADE DZR (dezincification resistant brass) Cz132

CHROME PLATING 200 HOUR SALT SPRAYED FINISH (Ni: 7 μ & Cr: 0.2 μ) THICKNESS

BSP THREADS 15mm MALE S-CON THREADS / 3/4" FEMALE MIXER THREADS

QUIET FLOW TECHNOLOGY BUILT-IN NOISE SUPPRESSOR IN CARTRIDGE



CLEANING INSTRUCTIONS

1. Avoid cleaning agents containing ingredients, such as chlorine bleach, formic acid, acetic or Hydrochloric acid.
2. Wipe all surfaces using a soft unabrasive cloth, with warm soapy water.



10 YEAR WARRANTY

WWW.PLUMBLINK.CO.ZA

Plumblink tries its best to ensure that the information given on our website is accurate. Although, we cannot guarantee this for certain, and accept no liability for any information.