



# CRUX BASIN MIXER

035568

SPECIFICATION SHEET

## PRODUCT DETAILS

**CARTRIDGE** SEDAL ANTI-SCALD CARTRIDGE (TEMPERATURE CONTROL)

**NEOPERL AERATOR** EASY FLOW AERATOR

**FIXATION SET** TUBULAR FIXATION WITH NYLON NUT, WITH BRASS THREADS. COMPATIBLE BRASS TUBE FOR EASY INSTALLATION.

**450mm BRAIDED CONNECTORS** EXTENDED MIXER BRAIDS WITH OFFSET HEX'S FOR EASIER TIGHTENING & FOR AN EASIER INSTALLATION .

**EXTENDED COPPER TUBES** COPPER INTERNAL TUBES ALLOW FOR EASY BRAID INSTALLATION.

## TECHNICAL SPECIFICATIONS

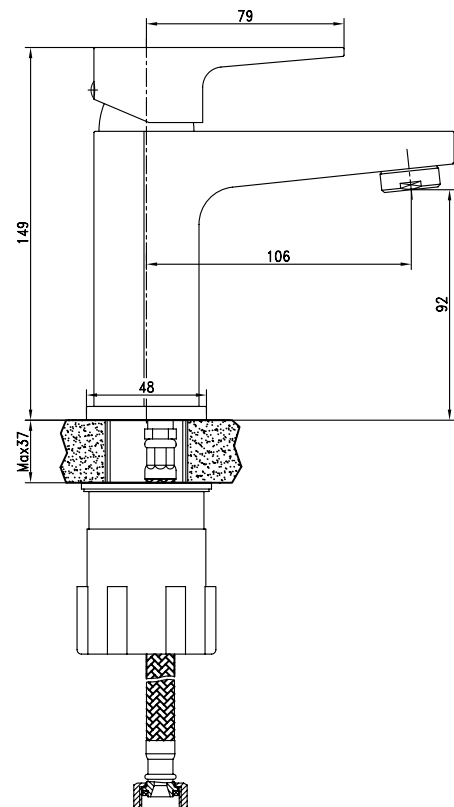
**FLOW RATE** 7.4L/ MINUTE @ 300Kpa

**SABS APPROVED\***

**BRASS GRADE** DZR (dezincification resistant brass) Cz132

**CHROME PLATING** 200 HOUR SALT SPRAYED FINISH (Ni: 7 $\mu$  & Cr: 0.2 $\mu$ ) THICKNESS

**QUIET FLOW TECHNOLOGY** BUILT-IN NOISE SUPPRESSOR IN CARTRIDGE



## CLEANING INSTRUCTIONS

1. Avoid cleaning agents containing ingredients, such as chlorine bleach, formic acid, acetic or Hydrochloric acid.
2. Wipe all surfaces using a soft unabrasive cloth, with warm soapy water.



**10 YEAR WARRANTY**

[WWW.PLUMBLINK.CO.ZA](http://WWW.PLUMBLINK.CO.ZA)

Plumblink tries its best to ensure that the information given on our website is accurate. Although, we cannot guarantee this for certain, and accept no liability for any information.