



LYRA BASIN MIXER

034146

SPECIFICATION SHEET

PRODUCT DETAILS

CARTRIDGE HIGH QUALITY SUPERIOR SPEC CARTRIDGE

NEOPERL AERATOR EASY FLOW AERATOR

FIXATION SET STAINLESS STEEL FIXATION SET

450mm BRAIDED CONNECTORS EXTENDED MIXER BRAIDS

WITH OFFSET HEX'S FOR EASIER TIGHTENING & FOR AN
EASIER INSTALLATION

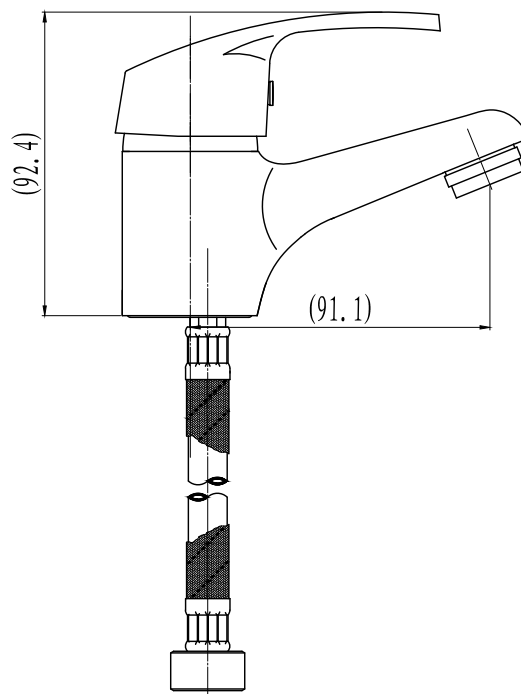
TECHNICAL SPECIFICATIONS

FLOW RATE 7.4L/ MINUTE @ 300Kpa

SABS APPROVED*

BRASS GRADE DZR (dezincification resistant brass) Cz132

CHROME PLATING 200 HOUR SALT SPRAYED FINISH (Ni: 7 μ
& Cr: 0.2 μ) THICKNESS



CLEANING INSTRUCTIONS

1. Avoid cleaning agents containing ingredients, such as chlorine bleach, formic acid, acetic or Hydrochloric acid.
2. Wipe all surfaces using a soft unabrasive cloth, with warm soapy water.



5 YEAR WARRANTY

WWW.PLUMBLINK.CO.ZA

Plumblink tries its best to ensure that the information given on our website is accurate. Although, we cannot guarantee this for certain, and accept no liability for any information.